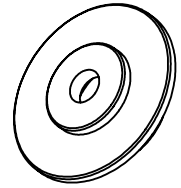
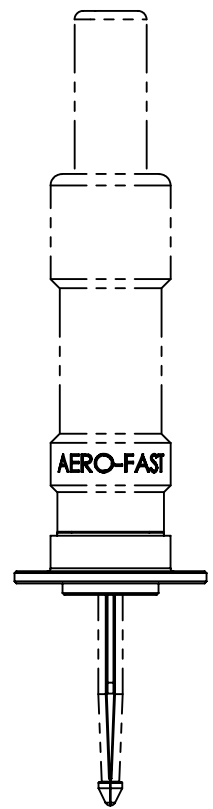


2

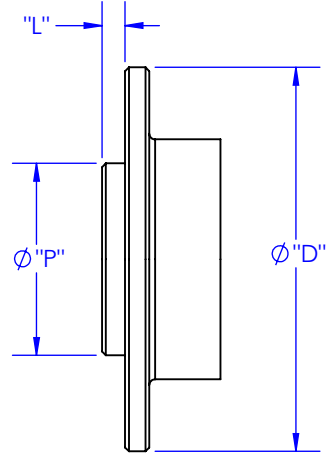
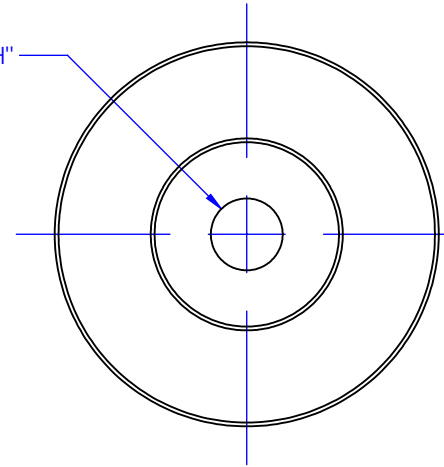
1

B

B



Ø "H"



"P" = Pilot Diameter
 "L" = Pilot Length
 "H" = Hole Diameter
 "D" = Body Diameter

A

A

AEROFAST

CHINO, CA

www.aerofast.net

TITLE:

PROPRIETARY AND CONFIDENTIAL

UNLESS OTHERWISE SPECIFIED:

DRAWN CLINTON 5/11/15

THE INFORMATION CONTAINED IN THIS DRAWING IS THE SOLE PROPERTY OF AERO-FAST. ANY REPRODUCTION IN PART OR AS A WHOLE WITHOUT THE WRITTEN PERMISSION OF AERO-FAST IS PROHIBITED.

DIMENSIONS ARE IN INCHES
 TOLERANCES:
 FRACTIONAL ± 1/64"
 ANGULAR: ± 1 DEGREE
 .XX ±.010
 .XXX ±.005

MATERIAL
 HEAT TREAT
 FINISH

CHECKED
 ENG APPR.
 MFG APPR.

SIZE **A**

DWG. NO.

REV

SCALE: 2:1

WEIGHT:

SHEET 1 OF 1

2

1